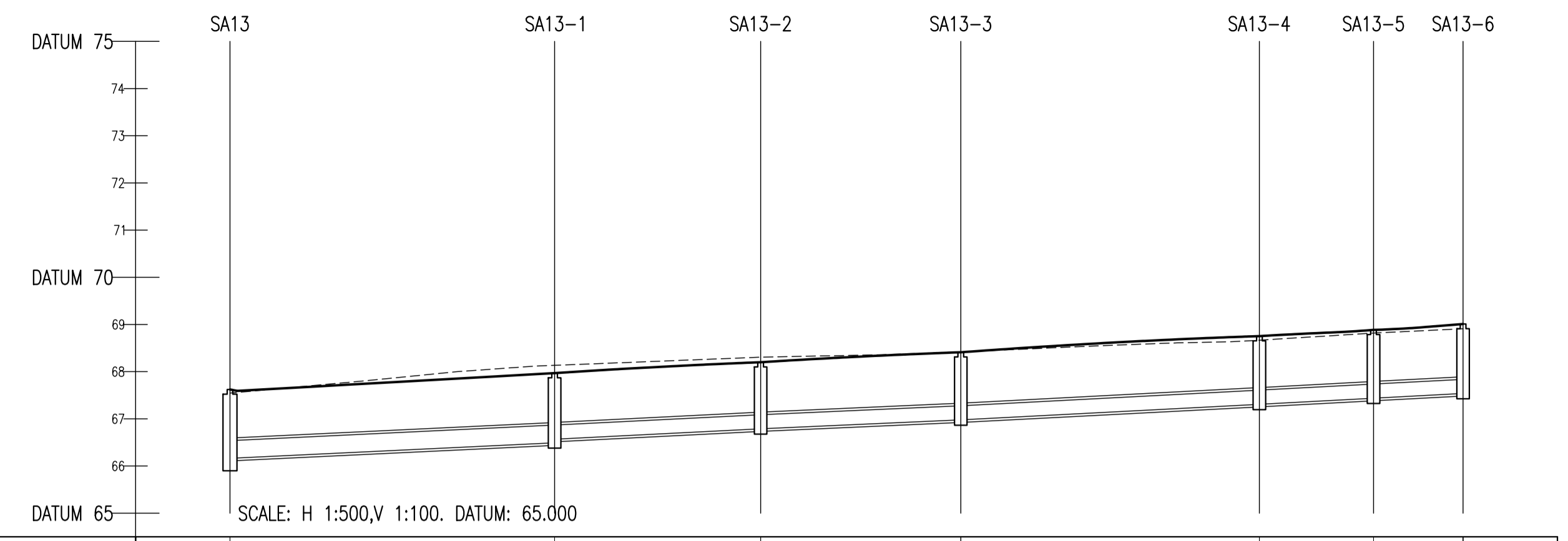


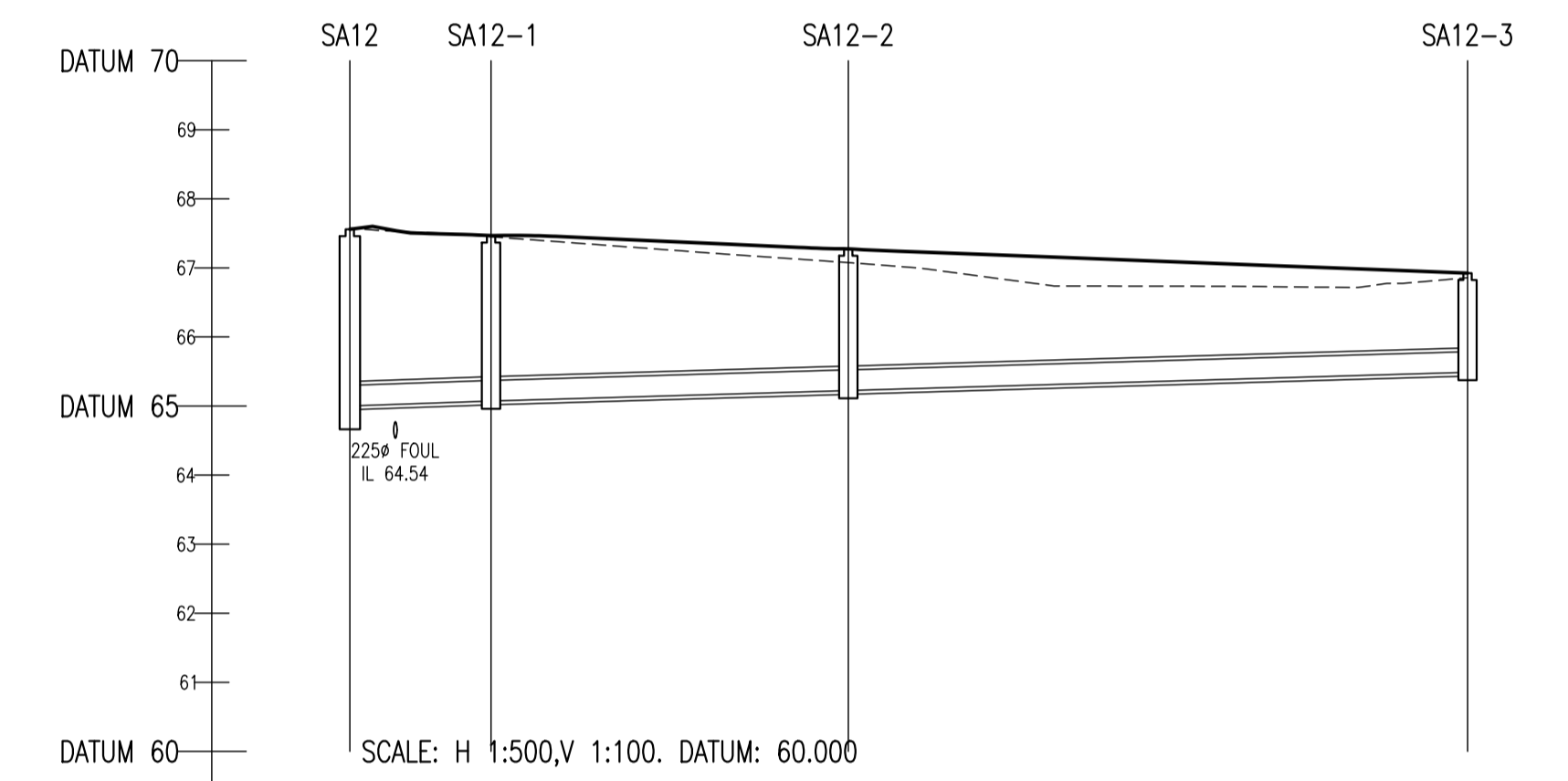
SCALE: H 1:500, V 1:100. DATUM: 60.000

COVER LEVEL	64.999		65.139	65.309	65.602
INVERT LEVEL	63.282	13.003	63.462	63.762	64.162
DEPTH (m)	2.632		1.639	1.599	1.462
DISTANCE (m)		22.60	17.02	30.52	
PIPE SLOPE		1:113	1:57	1:76	
PIPE SIZE		300mm	300mm	300mm	



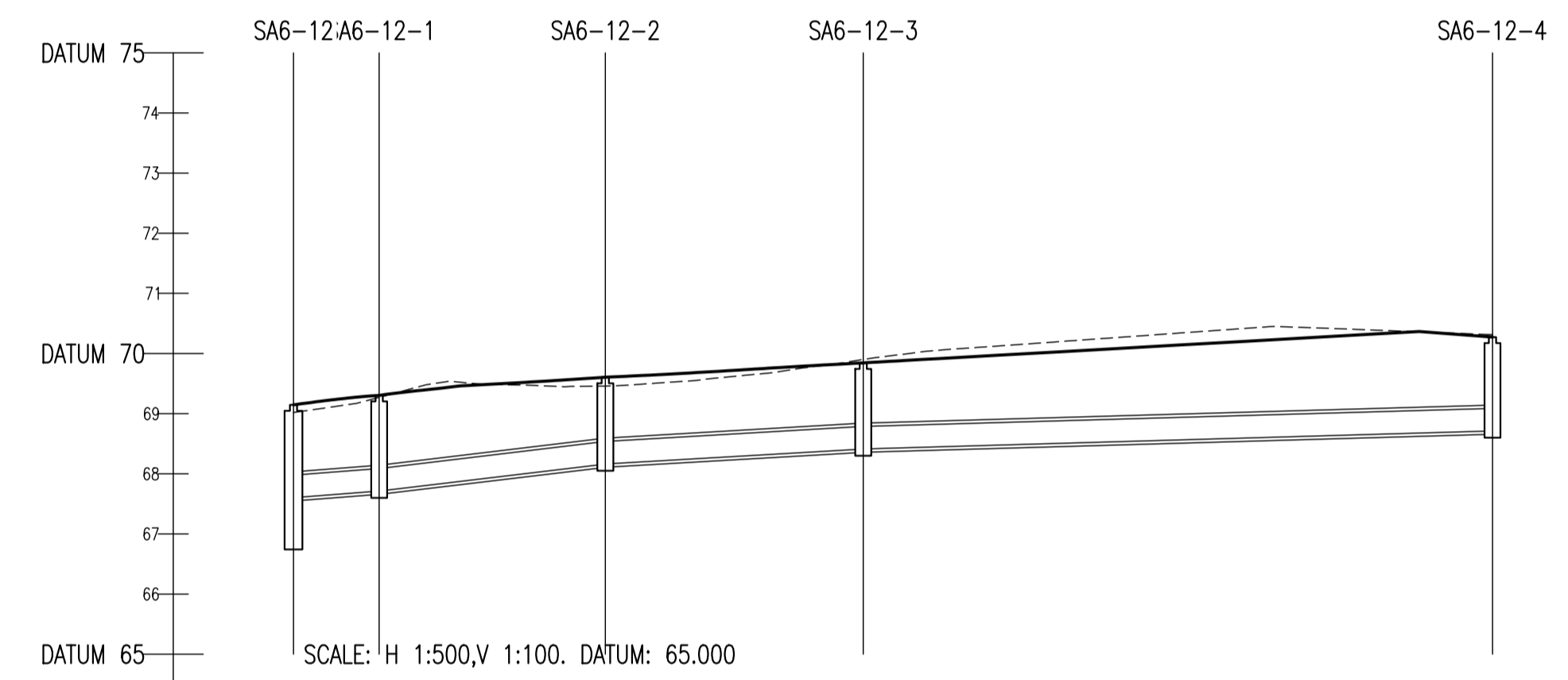
SCALE: H 1:500, V 1:100. DATUM: 65.000

COVER LEVEL	67.622		67.969	68.200	68.411	68.753	68.886	69.010
INVERT LEVEL	66.162	3.005	66.492	66.588	66.788	66.978	67.308	67.538
DEPTH (m)	1.572		1.439	1.375	1.375	1.396	1.408	1.475
DISTANCE (m)		34.39	21.83	21.21	31.64	12.09	9.49	
PIPE SLOPE		1:104	1:99	1:112	1:96	1:93	1:95	
PIPE SIZE		375mm	300mm	300mm	300mm	300mm	300mm	



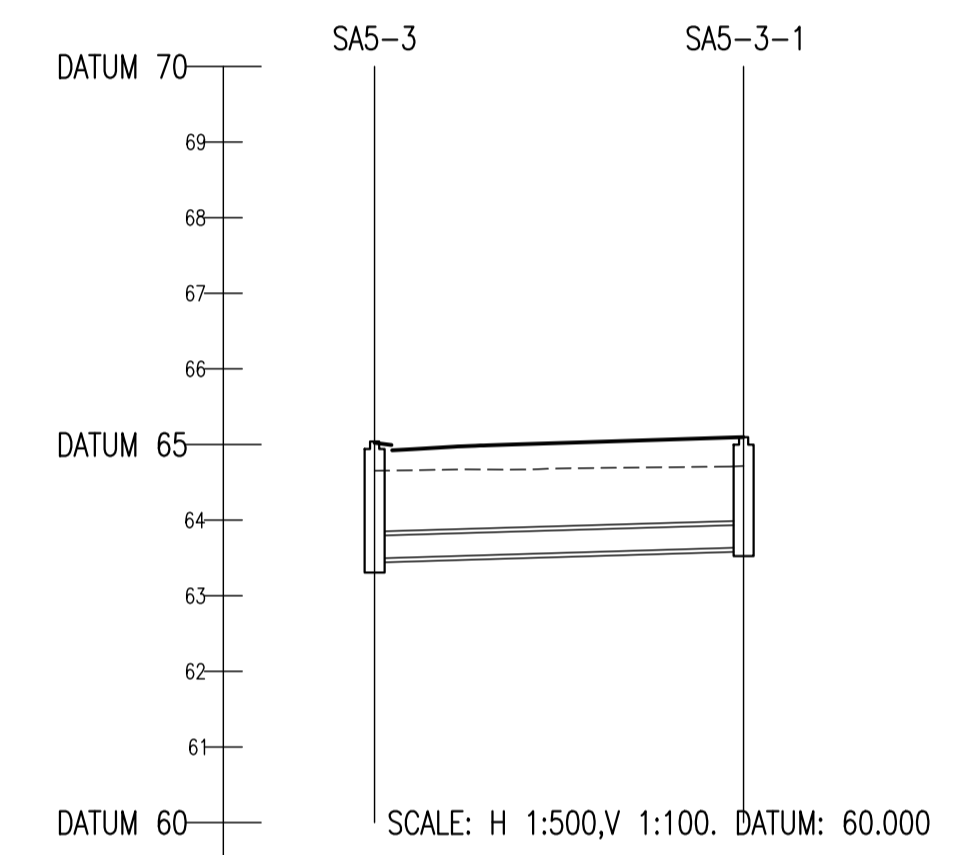
SCALE: H 1:500, V 1:100. DATUM: 60.000

COVER LEVEL	67.560		67.467	67.276	66.925
INVERT LEVEL	65.000	4.002	65.072	65.274	65.488
DEPTH (m)	2.747		2.398	2.015	1.400
DISTANCE (m)		10.23	25.87	44.85	
PIPE SLOPE		1:144	1:170	1:170	
PIPE SIZE		300mm	300mm	300mm	



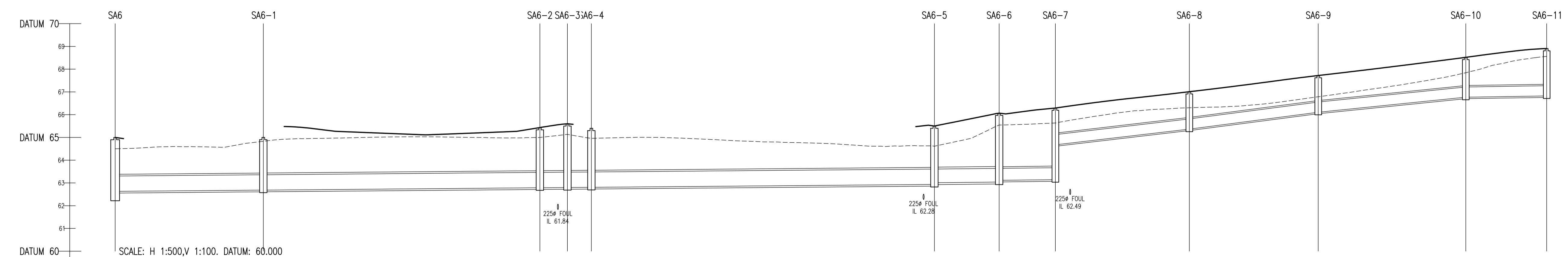
SCALE: H 1:500, V 1:100. DATUM: 65.000

COVER LEVEL	69.147	69.304	69.605	69.844	70.274
INVERT LEVEL	67.602	67.712	68.162	68.412	68.712
DEPTH (m)	2.255	1.594	1.405	1.394	1.524
DISTANCE (m)		7.13	18.81	21.46	52.34
PIPE SLOPE		1:65	1:42	1:86	1:174
PIPE SIZE		375mm	375mm	375mm	375mm



SCALE: H 1:500, V 1:100. DATUM: 60.000

COVER LEVEL	65.940	65.098
INVERT LEVEL	63.494	63.638
DEPTH (m)	1.584	1.423
DISTANCE (m)		24.40
PIPE SLOPE		1:169
PIPE SIZE		300mm



SCALE: H 1:500, V 1:100. DATUM: 60.000

COVER LEVEL	64.999		65.000	65.432	65.600	65.400	65.500	66.006	66.281	67.010	67.720	68.519	68.905									
INVERT LEVEL	62.629	5.014	62.684	62.877	62.912	62.807	62.834	5.009	63.039	63.114	5.008	63.364	63.364	5.006	66.106	66.106	5.005	66.788	66.788	5.004	66.827	
DEPTH (m)	2.632		2.278	2.607	2.705	2.556	2.528	14.25	2.990	63.114	5.008	3.109	64.674	5.007	1.577	1.577		1.714	1.714		2.045	
DISTANCE (m)		32.59	60.84	6.07	5.26	75.46	14.25	12.37	29.47	28.35	32.46	17.80	2.045									
PIPE SLOPE		1:992	1:591	1:590	1:590	1:590	1:482	1:405	1:43	1:38	1:49	1:324										
PIPE SIZE		675mm	675mm	675mm	675mm	675mm	600mm	525mm	450mm	450mm	450mm	450mm										

© COPYRIGHT OF THIS DRAWING IS RESERVED BY DBFL CONSULTING ENGINEERS. NO PART SHALL BE REPRODUCED OR TRANSMITTED WITHOUT THEIR WRITTEN PERMISSION.

ON ORIGINAL

NOTES:

- ALL DRAWINGS TO BE CHECKED BY CONTRACTOR ON SITE AND ENGINEER INFORMED OF DISCREPANCIES BEFORE WORK COMMENCES
- ALL LEVELS ARE IN METRES AND ARE RELATED TO ORDNANCE DATUM
- CONTRACTOR SHALL SATISFY HIMSELF AS TO THE ACCURACY OF PAVEMENT LEVELS ON SITE PRIOR TO COMMENCEMENT OF WORKS ON SITE
- ALL WORKS TO BE CONSTRUCTED IN ACCORDANCE WITH THE NRA SPECIFICATION FOR ROAD WORKS UNLESS NOTED OTHERWISE
- THIS DRAWING IS FOR PLANNING PURPOSES ONLY
- MANHOLE COVER LEVELS ARE TO CONFORM WITH FINISHED ROAD AND PATH LEVELS
- WHERE COVER TO PIPE IS LESS THAN 1200mm (ROAD/PATH/VERGE) OR 900mm (OPEN SPACE) SURROUND PIPE IN MINIMUM 150mm CONCRETE

KEY

----- EXISTING GROUND PROFILE
 _____ PROPOSED GROUND PROFILE

PT	17/12/19	PLANNING ISSUE	PJC	BCM
REV	DATE	DESCRIPTION	BY	CHKD
STAGE 2 - PLANNING				
DESIGNED	BCM	PREPARED	PJC	
DATE	OCT 2019	CHECKED	DJR	

DBFL Consulting Engineers
 Dublin Office: Ormrod House, Upper Ormrod Quay, Dublin 7, Ireland. PHONE +353 1 400 4000 FAX +353 1 400 4050
 Waterford Office: Unit 2, The Chandlery, 1-2 O'Connell Street, Waterford, Ireland. PHONE +353 51 338 550 FAX +353 51 844 913
 Email: info@dbfl.ie site: www.dbfl.ie

PROJECT
NEWTOWNMOYAGHY SHD

DRG. TITLE
LONGITUDINAL SECTIONS THROUGH SURFACE WATER SHEET 2 OF 6

CLIENT
MCGARRELL REILLY

SCALE H 1:500, V 1:100 @A1 FILE REF. 190009-DBFL-XX-XX-DR-C-3021
 DRG. NO. 190009-DBFL-XX-XX-DR-C-3022 P1